



THIS COPY HAS BEEN MADE BY OR WITH THE  
AUTHORITY OF HERMIONE DISTRICT COUNCIL  
PURSUANT TO SECTION 17 OF THE COPYRIGHT  
DESIGN AND PATENTS ACT 1988. OWNERS  
THAT ARE PROVIDED WITH AN EXCEPTION TO  
COPYRIGHT, THE WORK MUST NOT BE COPIED  
WITHOUT THE PRIOR PERMISSION OF THE  
COPYRIGHT OWNER.



RYSDALE DM  
30 JUL 2013  
DEVELOPMENT  
MANAGEMENT





SIDE



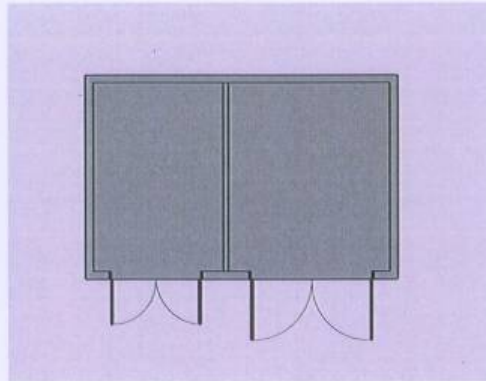
FRONT



SIDE



REAR



PLAN

TRANSFORMER KIOSK

4m wide x 2.6m deep x 2.4m high  
GRP enclosure - grey/green finish, final colour to be agreed with Local Planning Authority

THIS COPY HAS BEEN MADE BY OR WITH THE AUTHORITY OF WOLDS DISTRICT COUNCIL PURSUANT TO SECTION 51 OF THE COPYRIGHT, DESIGNS AND PATENTS ACT 1988 UNLESS THAT ACT PROVIDES A RELEVANT EXCEPTION TO COPYRIGHT. THE COUNCIL ASSUMES NO LIABILITY WITHOUT THE EXPLICIT PERMISSION OF THE COPYRIGHT OWNER.

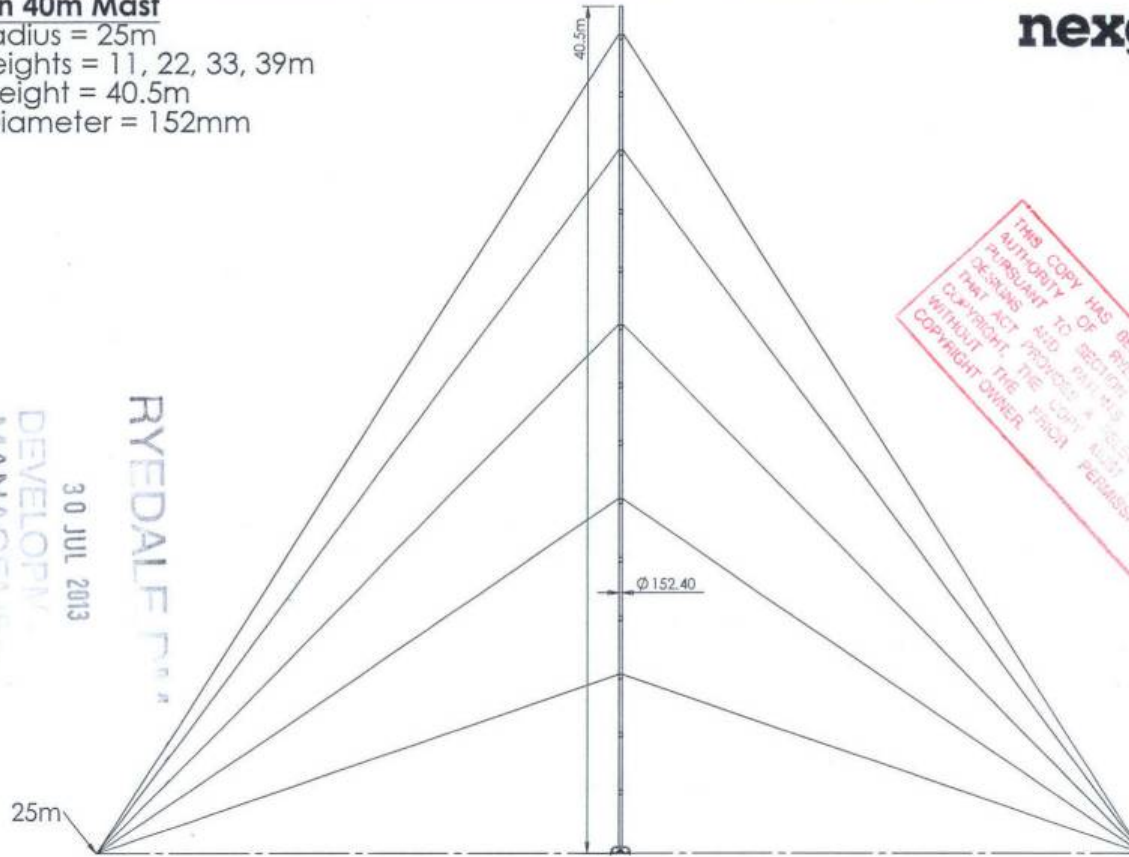
RYSDALE DM  
30 JUL 2013  
DEVELOPMENT  
MANAGEMENT

**Nexgen 40m Mast**

Guy Radius = 25m  
 Guy Heights = 11, 22, 33, 39m  
 Mast Height = 40.5m  
 Tube Diameter = 152mm



RYEDALE POWER  
 DEVELOPMENT  
 MANAGEMENT  
 30 JUL 2013



THIS COPY HAS BEEN MADE BY OR WITH THE  
 AUTHORITY OF RYEDALE DISTRICT COUNCIL  
 PURSUANT TO SECTION 9 OF THE COPYRIGHT,  
 DESIGNS AND PATENTS ACT 1988 UNLESS  
 THAT ACT PROVIDES A OTHERWISE. IN SUCH  
 CASES, THE USER MUST NOT BE CONSIDERED  
 WITHOUT THE WRITTEN PERMISSION OF THE  
 COPYRIGHT OWNER.

Title: 40m Mast GA	Material: Mild Steel	Notes: - All dimensions are in mm unless otherwise stated - Do not scale drawing - Debur all edges	THE INFORMATION CONTAINED IN THIS DRAWING IS THE SOLE PROPERTY OF WESTERN WIND POWER. ANY REPRODUCTION IN PART OR AS A WHOLE WITHOUT THE WRITTEN PERMISSION OF WESTERN WIND POWER IS PROHIBITED.	Drawn by: T. Sherwen	Western Windpower Wallbridge Industrial Estate Stroud GL5 3JU Tel: 01453 759 408 email: info@nexgenwind.com
DWG #: FOR PLANNING	Revision: 1	Scale: 1:250	Date: 7/2/2012		

**nexgen**

THIS COPY HAS BEEN MADE BY OR WITH THE AUTHORITY OF WESTERN WINDPOWER. ANY REPRODUCTION IN PART OR AS A WHOLE WITHOUT THE WRITTEN PERMISSION OF WESTERN WINDPOWER IS PROHIBITED.



RYEDALE FARM  
30 JUL 2013  
DEVELOPMENT  
MANAGEMENT

Title: 40m Mast GA	Material: Mild Steel	Notes: - All dimensions are in mm unless otherwise stated - Do not scale drawing - Debur all edges	THE INFORMATION CONTAINED IN THIS DRAWING IS THE SOLE PROPERTY OF WESTERN WIND POWER. ANY REPRODUCTION IN PART OR AS A WHOLE WITHOUT THE WRITTEN PERMISSION OF WESTERN WIND POWER IS PROHIBITED.	Drawn by: T. Sherwen	Western Windpower Wallbridge Industrial Estate Stroud GL5 3JU Tel: 01453 759 408 email: info@nexgenwind.com
DWG #: Plan View	Revision: 1	Scale: 1:300		Date: 7/2/2012	